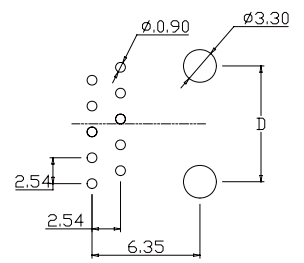
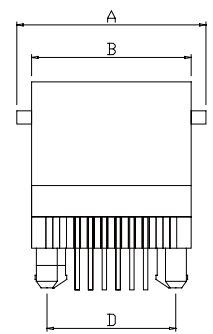
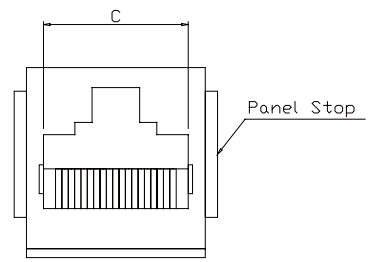
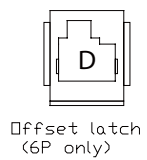
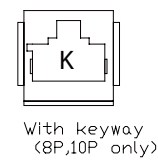
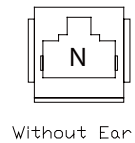
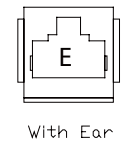
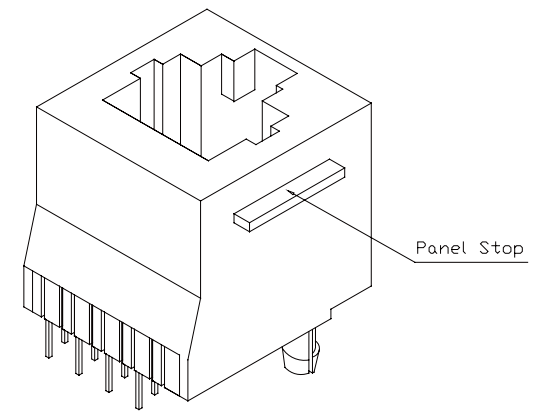
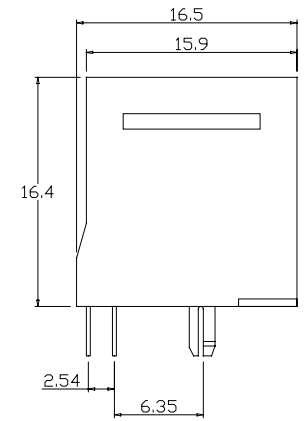


BY	CHK	REVISION RECORD MODIFICATIONS	DATE	REV.
ALLEN		RELEASE TO PRODUCTION	2007,9,12	1.0

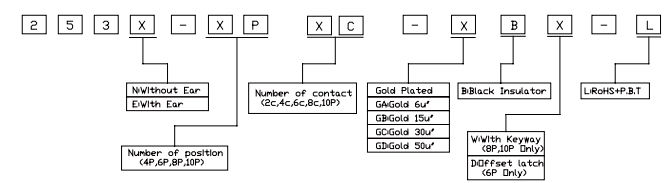
**MATERIAL & FINISH**  
 HOUSING: Glass Fiber, PBT, UL94V-0, BLACK  
 CONTACT: 0.35mm thickness phosphor bronze,  
 Gold plated over Nickel on contact area,  
 Tin plated over Nickel on solder area.



Recommended PCB Layout  
 (PCB TOLERANCE±0.05)



POSITION	CONTACT	A	B	C	D
4P	4C	13.97	11.43	7.90	7.62
6P	2C/4C/6C	16.00	13.46	10.00	10.16
(8P)6P	4C/6C	18.03	15.49	10.00	10.16
8P	8C	18.03	15.49	11.90	11.43
10P	10C	18.03	15.49	11.90	11.43



APPRO	CHECK	DRAWN	PART NO.	260X-XPXC-XBX-L
			ITEM NO.	
			DRAW NO.	
			UNIT	mm SCALE no
			TOLER	NO.

DESCRIPTION

Tel: 0769 22020068 Fax: 0769 22020069 E-mail: sales@vigortec.com